



IPC Integrated Professional Cleaning

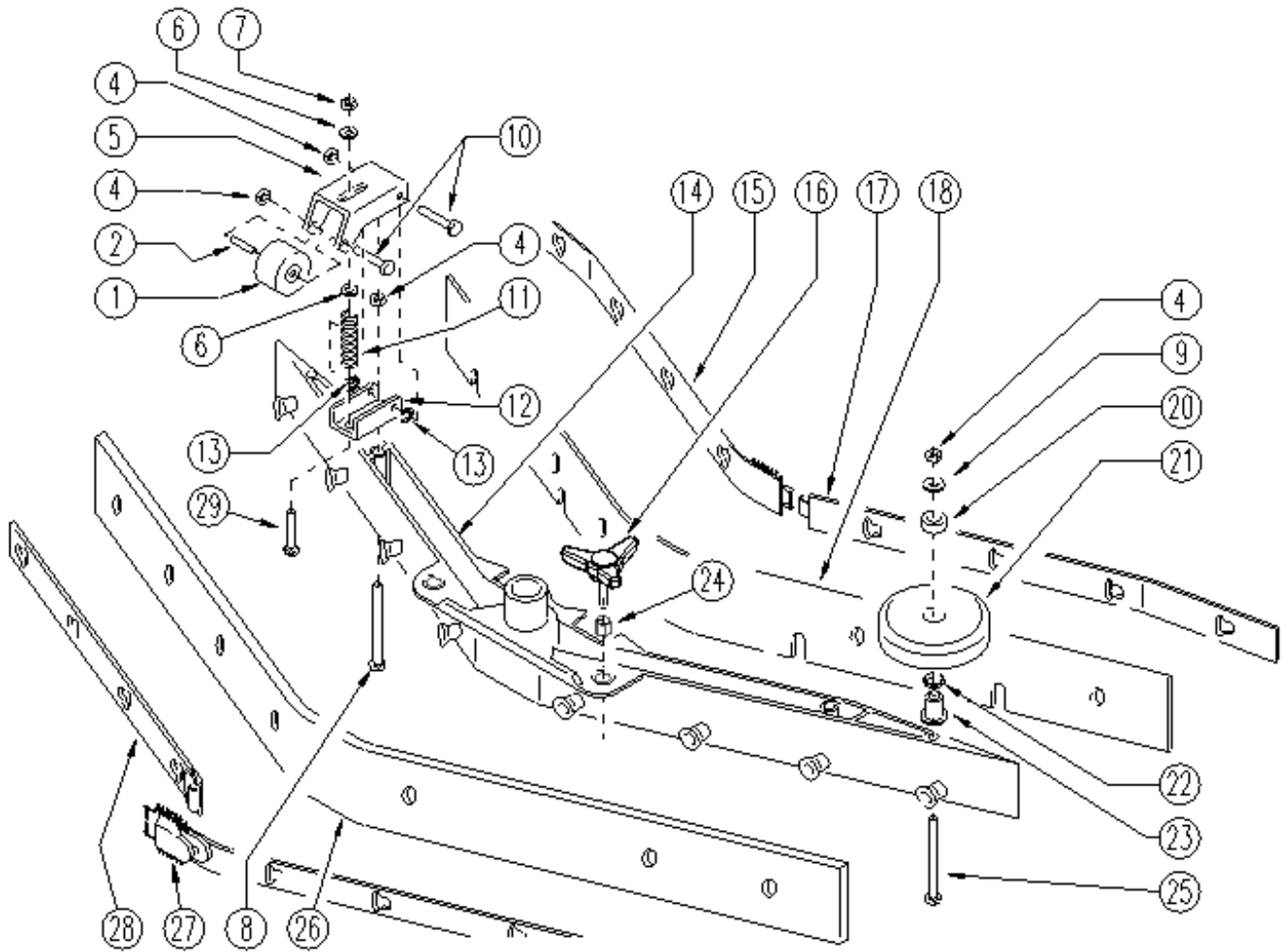
IPC Gansow

Spare Parts List

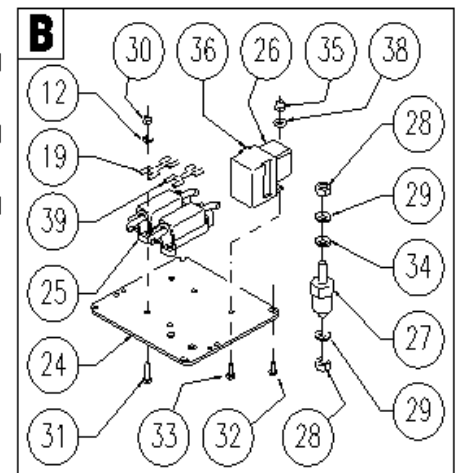
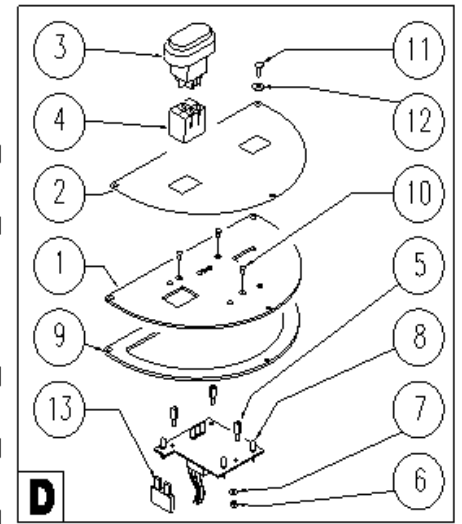
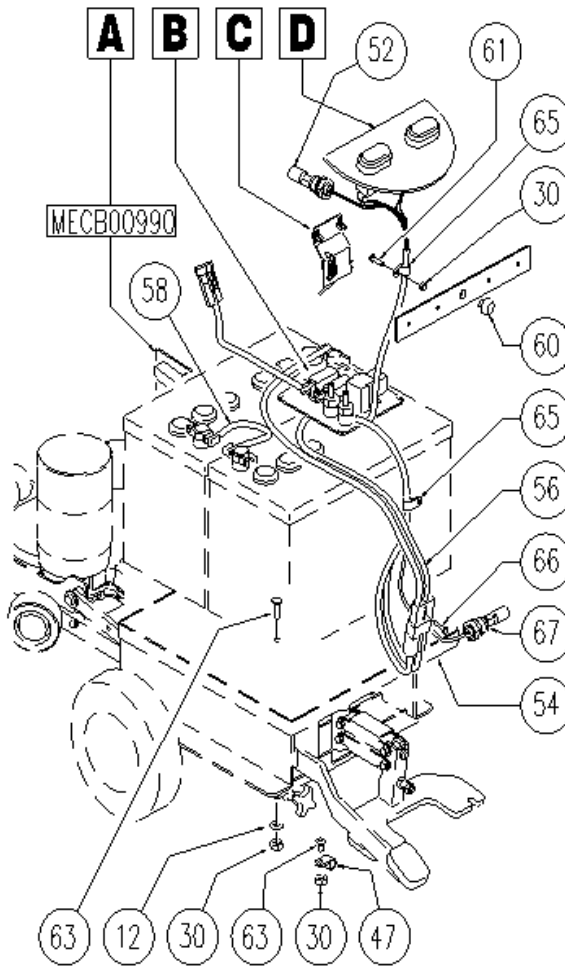
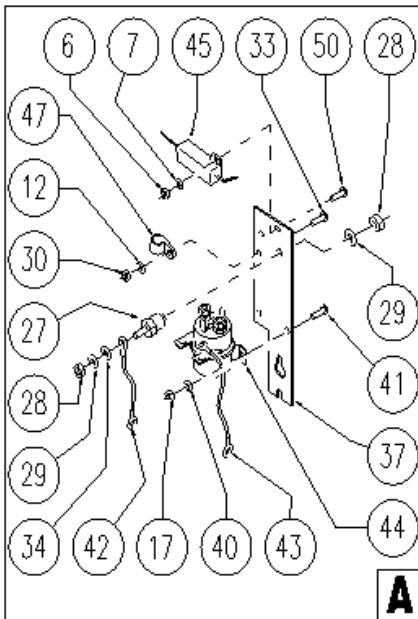
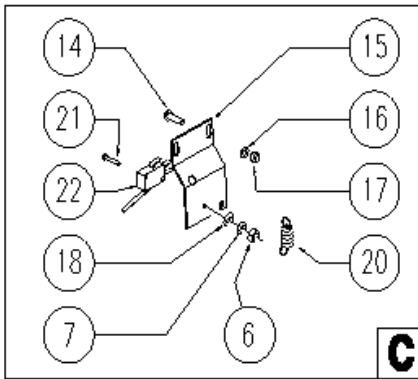
FALAMAK MACHINE CO. ADD.NO.6,U

Ref: LPTB01116

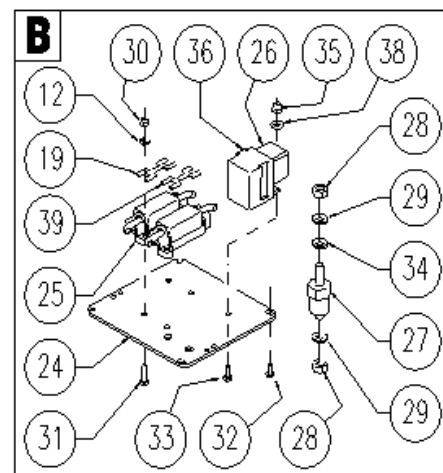
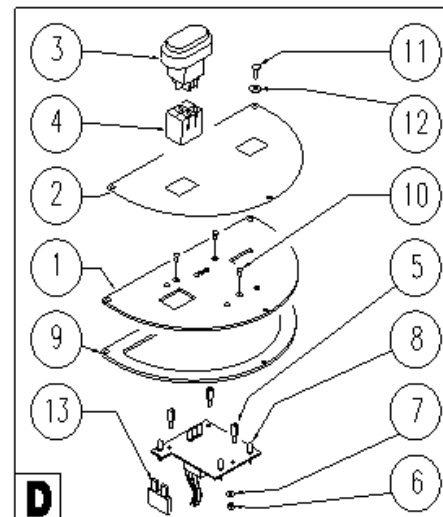
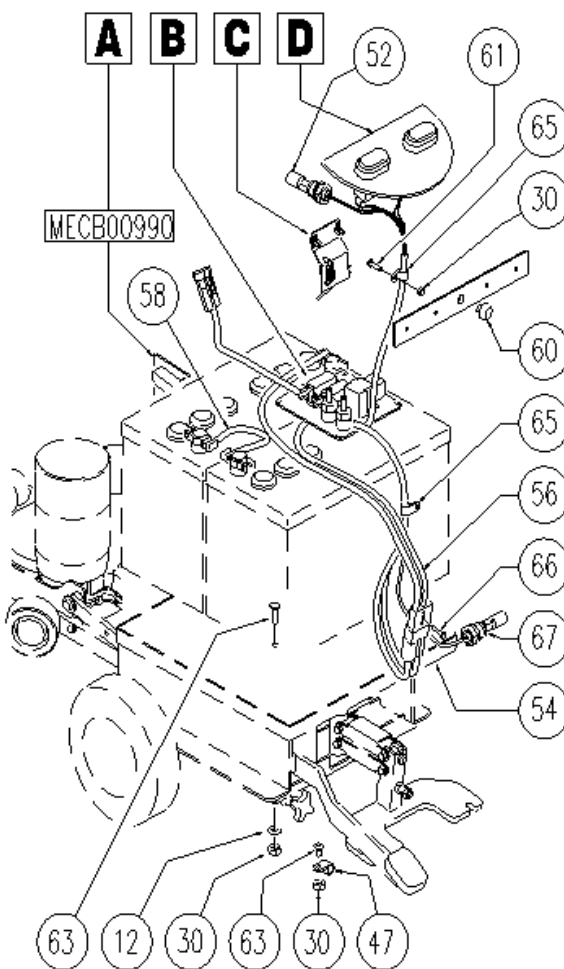
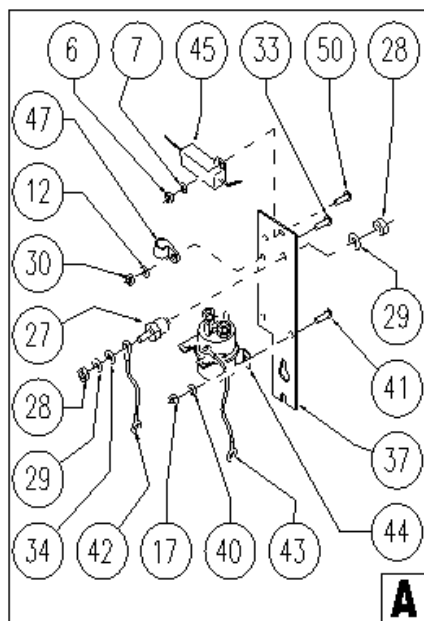
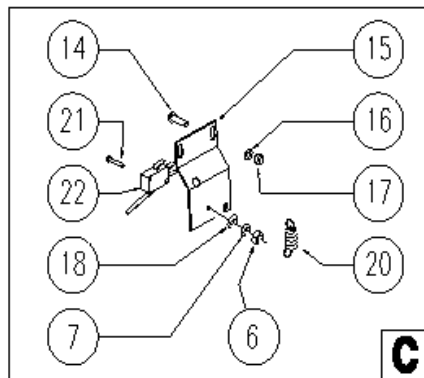
Model: CLEAN TIME 40 B 50 "S"



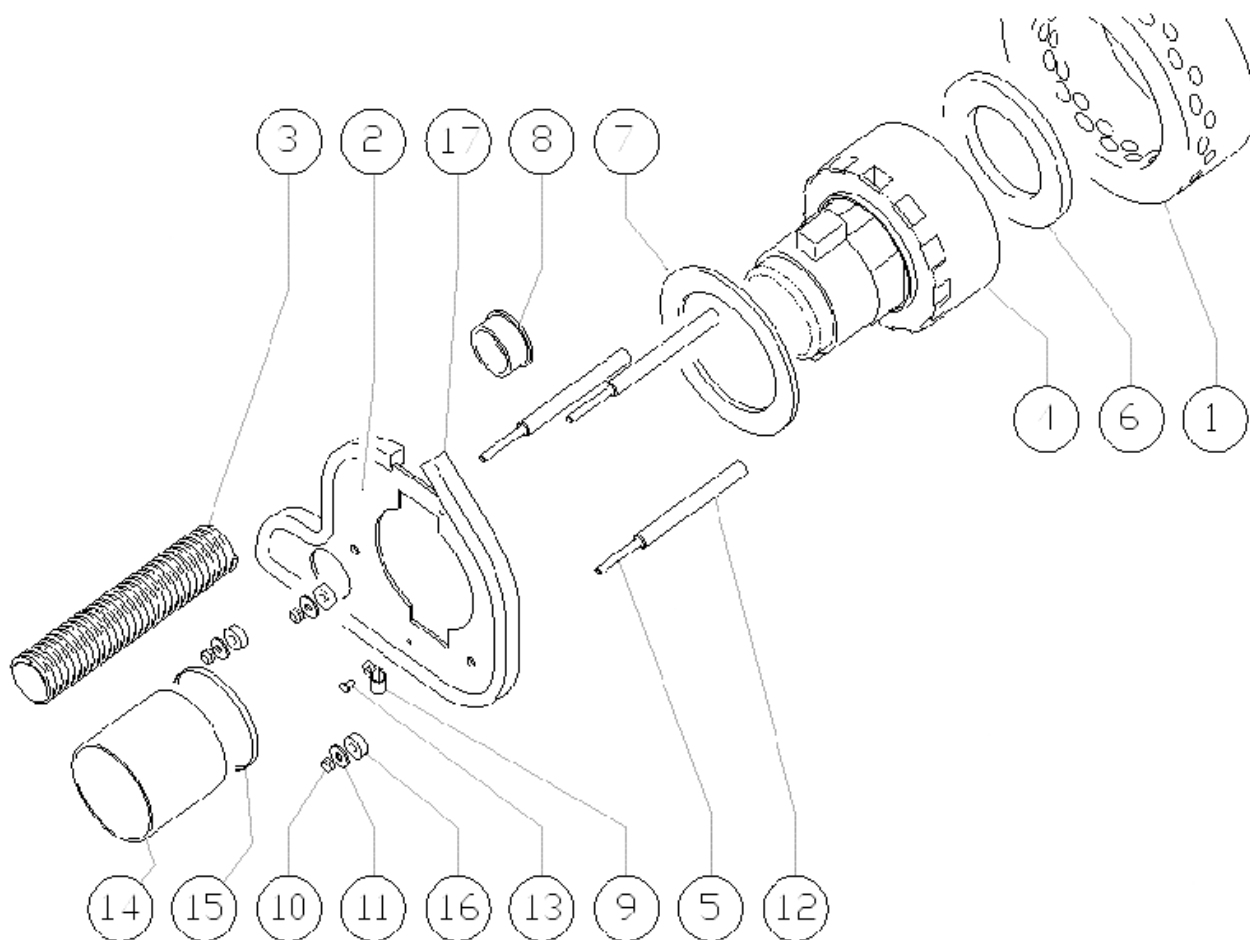
Ref.	K	Part N.	Customer Part N.	Description	Qty	Validity:		Price
						From	To	
0001		RTRT49413		WHEEL D. 60-D.15 X36 NYL.	2,00			--
0002		LAFN04041		SPACER D6/15	2,00			--
0004		VTDD01694		NUT M6 INOX	8,00			--
0005		LAFN05559		SUPPORT RUOTINO	2,00			--
0006		VTRS13947		WASHER D. 8 INX UNI 6592	4,00			--
0007		VTDD01695		NUT M 8 INX	2,00			--
0008		VTVT15142		SCREW TE M 6x45 INOX	2,00			--
0009		VTRS00245		WASHER D.6 UNI 6592 INOX	2,00			--
0010		VTVT15515		SCREW TE M 6X 50 INOX A2	4,00			--
0011		MLML49422		SPRING D.15X 45 X1	2,00			--
0012		LAFN51069		BRACKET SUPP.RUOTINO SQUEEGEE	2,00			--
0013		VTAE45707		CIRCLIP D. 6 UNI 7434 INOX	4,00			--
0014		KTRI02048		BODY SQUEEGEE PRESSOFUSO "S"	1,00			--
0015		LAFN51045		BRACKET S SQUEEGEE BLOCK LEFT	1,00			--
0016		MPVR05265		KNOB 8X25	2,00			--
0017		LAFN51044		LAMINATION BLOCCA LAMA ANTER.DX S	1,00			--
0018		MPVR45194		RUBBER BLADE LAV. 800 ANT.	1,00			--
0020		MPVR49229		BUSHING SHK	2,00			--
0021		MPVR05290		ROLLER PARACOLPI	2,00			--
0022		GUGO00164		GASKET	2,00			--
0023		LAFN04100		SPACER PER RUOTINO PARACOLPI	2,00			--
0024		VTVR00022		INSERT FILETTATO ESAGONALE M8	2,00			--
0025		VTVT17342		SCREW TE M 6X 60 UNI 5739 INX	2,00			--
0026		MPVR45195		RUBBER BLADE LAV. 800 PST.POL.	1,00			--
0027		LAFN49284		BLADE HOLDER POSTERIORE DX (S)	1,00			--
0028		LAFN49285		BLADE HOLDER POSTERIORE SX (S)	1,00			--
0029		VTVT01304		SCREW M 8X 40 TTQST UNI 5731	2,00			--



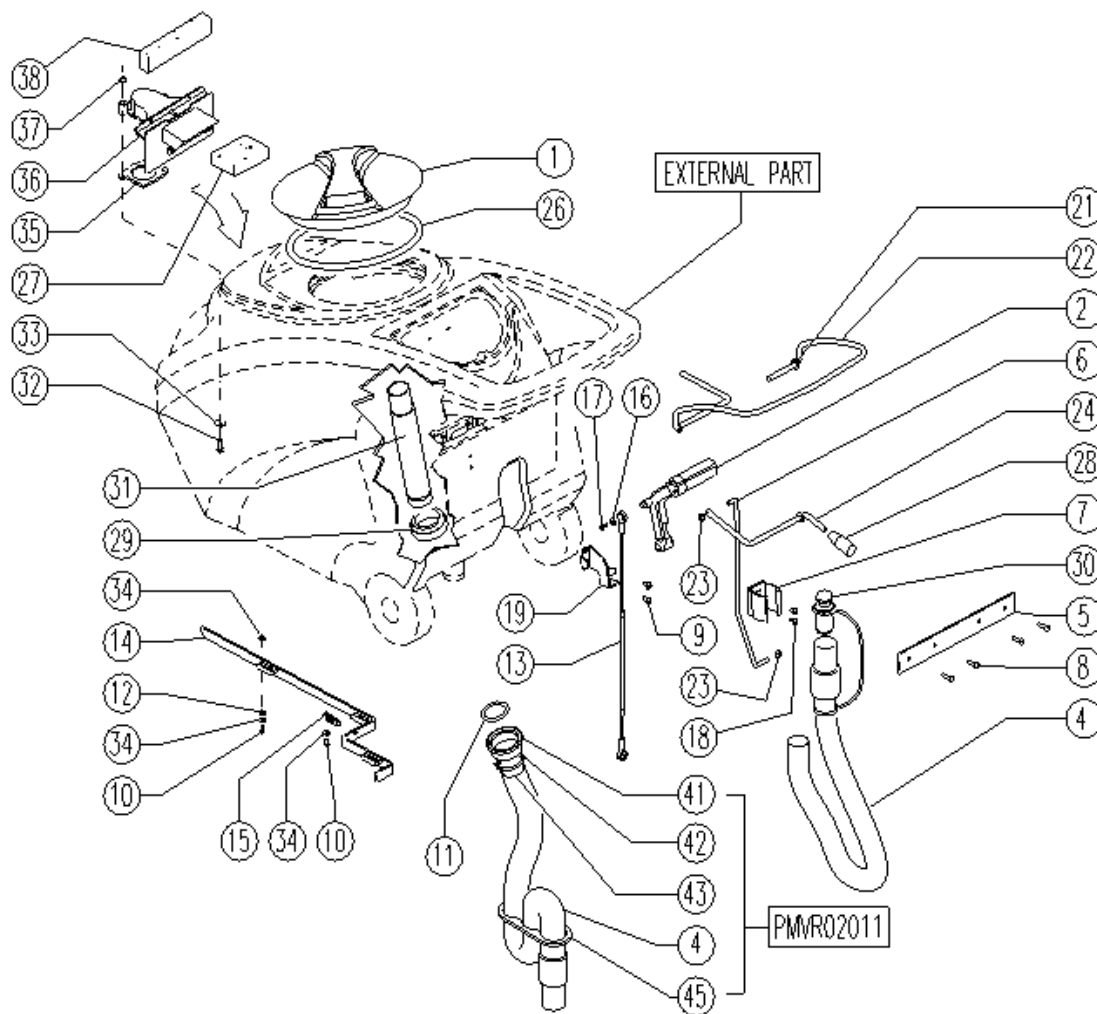
Ref.	K	Part N.	Customer Part N.	Description	Qty	Validity: From	To	Price
0001	LAFN05860			SHEET METAL PA.PANNELLO COMANDI	1,00	02/2004		--
0002	ETET01372			LABEL ANNELLO COMANDI	1,00	02/2004		--
0003	MECI00346			SWITCH TTR/L BIP. 24V	2,00	02/2004		--
0004	MECI00384			BASE 401	2,00			--
0005	LAFN04047			SPACER X SCHEDE M3 15x8x8	3,00	02/2004		--
0006	VTDD21115			NUT M 3 INOX	4,00	02/2004		--
0007	VTRS00268			WASHER D.3	7,00	02/2004		--
0008	MECE00398			BOARD PANEL CT40-CT70 B	1,00	02/2004		--
0009	GUGO38417			GASKET PANN.COM.EXTREME	1,00	02/2004		--
0010	VTVT00865			SCREW TSP-TC M 3X 6 UNI7688 INX	3,00	02/2004		--
0011	VTVT37012			SCREW M 4X 10 TCB-TC INX	3,00	02/2004		--
0012	VTRS00515			WASHER D. 4 INX	8,00	03/2004		--
0013	MEVR01428			FUSE A LAMA 2 A. UNIVAL	1,00			--
0014	VTVT07725			SCREW TE 5X16 UNI5739 INX	2,00			--
0015	LAFN05904			PLATE MICRO LEVA	1,00	04/2004		--
0016	VTRS00516			WASHER D. 5 INX	2,00	04/2004		--
0017	VTDD01693			NUT M 5 INX	4,00			--
0018	VTRS21116			WASHER D. 3 INX	2,00	02/2004		--
0019	MEVR02887			FUSE 40A NST.	1,00			--
0020	MLML34726			SPRING TR E350 N	1,00	04/2004		--
0021	VTVT01316			SCREW TC+ M3-16	2,00	02/2004		--
0022	MECI36393			MICROSWITCH TRZ. DRW	1,00	02/2004		--
0024	LAFN05903			PLATE X CABLAGGIO CLT 40 BATT	1,00	02/2004		--
0025	MEVR01332			FUSE-HOLDER	2,00	02/2004		--
0026	MECE00139			RELAY POTENZA 24V	1,00	02/2004		--
0027	MEVR01116			SUPPORT FUSIBILE 120 A	3,00	02/2004		--
0028	VTDD15521			NUT M 8 INX A2 UNI 5588	6,00	02/2004		--
0029	VTRS01080			WASHER D. 8 GRW	6,00	02/2004		--
0030	VTDD15925			NUT M 4 INX	6,00	02/2004		--
0031	VTVT00704			SCREW TE M 4X 16 UNI5739 INOX	4,00	02/2004		--
0032	VTVT01580			SCREW TC M5X10 UNI7687 INOX	4,00	11/2005		--
0032	VTVT01300			SCREW TE M5X12 INOX	4,00	06/2004	11/2005	--
0033	VTVT21096			SCREW TE M 4X 10 INX	2,00	02/2004		--
0034	VTRS13947			WASHER D. 8 INX UNI 6592	3,00	02/2004		--
0035	VTDD00147			NUT M 4 INX U.5588	1,00	02/2004		--
0036	METT00053			BLOCK PORTA RELE'	1,00	02/2004		--
0037	LAFN51089			PLATE ELETTRICA CLT40	1,00			--
0038	VTRS13750			WASHER D. 5X14 INX	1,00	02/2004		--
0039	MEVR42990			FUSE 60A NST.	1,00	02/2004		--



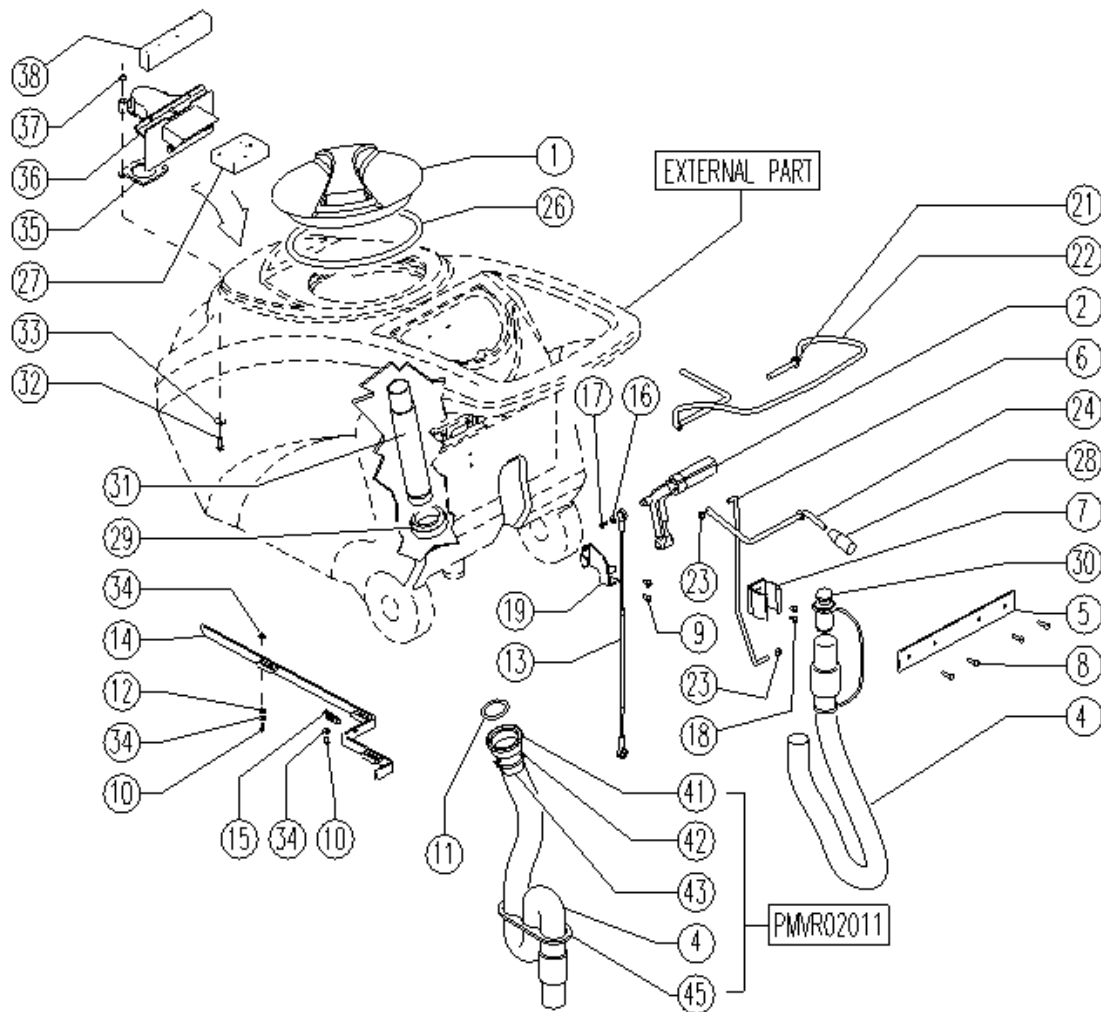
Ref.	K	Part N.	Customer Part N.	Description	Qty	Validity:		Price
						From	To	
0040		VTRS15958		WASHER D. 5 X15 UNI 6593	2,00			--
0041		VTVT34115		SCREW TE M 5X 10 UNI 5739	2,00			--
0042		MECB00987		WIRING -	1,00			--
0043		MECB00988		WIRING -	1,00			--
0044		METT00056		CONTACTOR T-106	1,00	02/2004		--
0045		MECB00930		WIRING RESISTENZA 50 W	1,00		05/2006	--
0045		MECB00989		WIRING FRENATURA	1,00	05/2006		--
0047		MPVR02933		DUCT LOCK D.9,5	3,00	03/2004		--
0050		VTVT00722		SCREW	2,00	02/2004		--
0052		MECI00399		SENSOR DI LIVELLO ORIZZONTALE	2,00	11/2005		--
0052		MECI00338		SENSOR DI LIVELLO ORIZZONTALE	2,00	02/2004	11/2005	--
0054		LAFN35588		BATTERY SUPPORTLAV. BT	1,00	04/2004		--
0056		MECB00932		WIRING BATT. 10mmq L=660mm	1,00	04/2004		--
0058		MEVR34820		WIRING B 450 BT	1,00	04/2004		--
0060		MPVR00043		CAP CHIUS.FORO PORTAFUS.L 15	1,00			--
0061		VTVT00681		SCREW	1,00			--
0063		VTVT16939		SCREW M 4X 16 TSPEI UNI 5933	2,00	04/2004		--
0065		FSVR00099		CLAMP FERMATUBO	2,00	02/2004		--
0066		VTVT00633		SCREW M 3X 20 TCB-TC BK.U.7687	2,00			--
0067		MECI00400		SENSOR DI LIVELLO ORIZZONTALE	1,00	05/2006		--



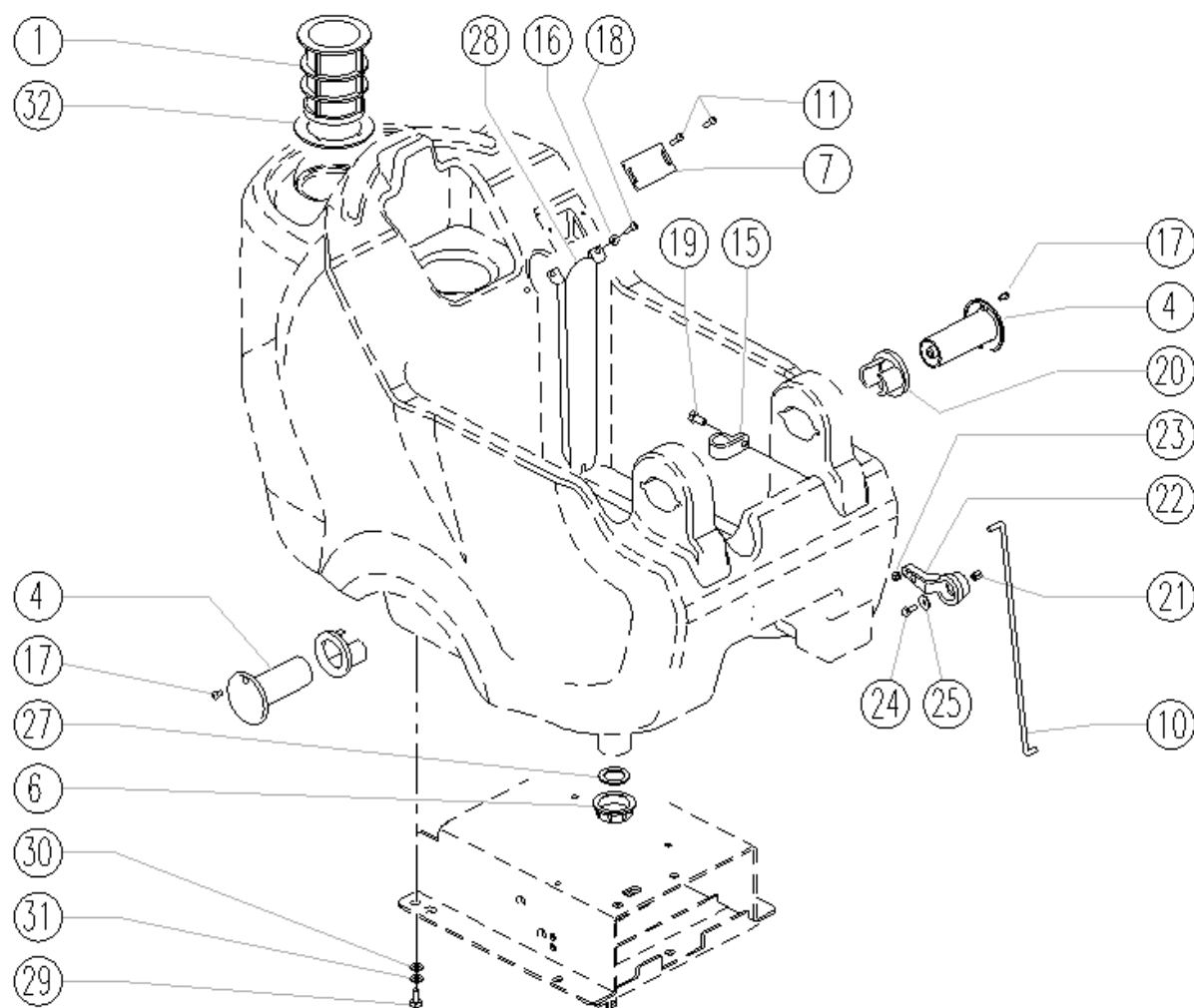
Ref. K	Part N.	Customer Part N.	Description	Qty	Validity:		Price
					From	To	
0001	MPVR01943		WASHER 35 FORI FIREFLEX	1,00	02/2004		--
0002	LAFN51067		FLANGE	1,00	02/2004		--
0003	TBFX00244		TUBE D 34 L200MM	1,00			--
0004	MOCC00253		MOTOR ASPIR.BIST.24V	1,00		11/2008	--
0004	MOCC00349		MOTOR VACUUM 2 STAGES 24V	1,00	11/2008		--
0005	LAFN51086		CARRYNG BAG	3,00			--
0006	GUGO00272		GASKET VACUUM MOTOR CT	1,00	02/2004		--
0007	GUGO00231		PROTECTION RALLA L.330MM	1,00	04/2004		--
0008	MPVR31077		BUSHING L.450	1,00	02/2004		--
0009	FSVR00099		CLAMP FERMATUBO	1,00	02/2004		--
0010	VTDD01694		NUT M6 INOX	3,00	02/2004		--
0011	VTRS13945		WASHER D. 6X18 INX UNI 6593	3,00	04/2004		--
0012	LAFN51078		SPACER SH	3,00	05/2004		--
0013	VTVT00813		SCREW M 4X 8 TCB-TC UNI 8112	1,00			--
0014	TBFX00268		SUCTION HOSE D80 L=80MM	1,00			--
0015	FSVR00500		CLAMP 80-100 INOX	1,00	03/2004		--
0016	MPVR02632		RUBBER	3,00	04/2004		--
0017	GUGO00291		GASKET PARATIA MOTORE ASPIRAZ.	1,00			--



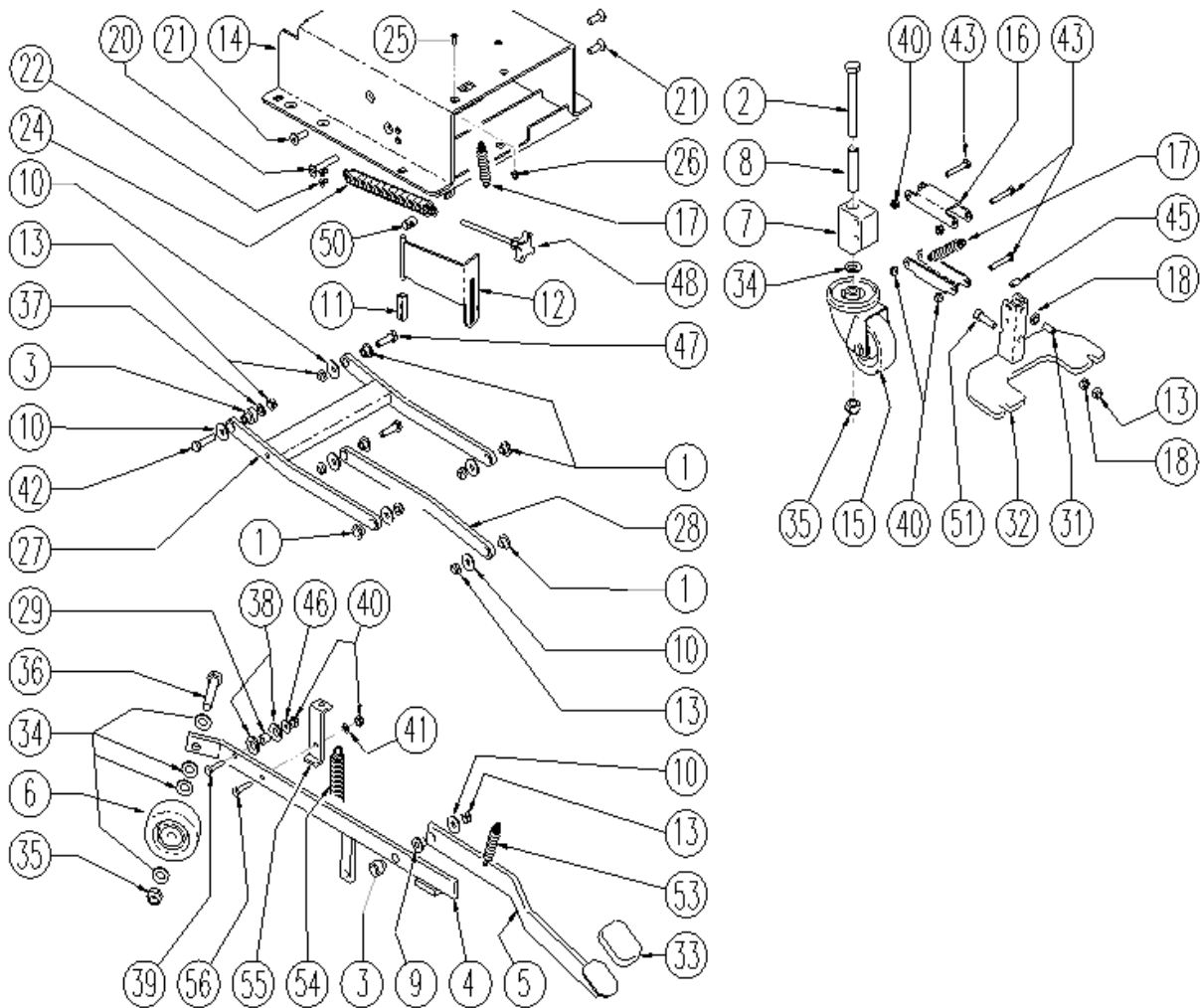
Ref.	K	Part N.	Customer Part N.	Description	Qty	Validity:		Price
						From	To	
0001		MPVR04051		TANK CAP	1,00	02/2004		--
0002		MPVR49942		LEVER SHK PP	1,00	02/2004		--
0004		TBFX00214		TUBE SCARICO	2,00	06/2004		--
0005		LAFN05865		PLATE COPRILEVA CONSENSO	1,00	02/2004		--
0006		LAFN05863		ROD RUBINETTO	1,00	02/2004		--
0007		MPVR46988		CLIP LAV. SHK	1,00	02/2004		--
0008		VTVT00651		SCREW TBEI M. 5x16 INOX	4,00	02/2004		--
0009		VTVT00640		SCREW TBEI M 6-12 INOX	2,00	02/2004		--
0010		VTVT01300		SCREW TE M5X12 INOX	4,00	06/2004		--
0011		GUGO00216		GASKET ACQUA SPORCA	1,00	05/2009		--
0011		GUGO00292		GASKET OR 6162	1,00		05/2009	--
0012		LAFN04040		BUSHING	3,00			--
0013		CMCV00312		CABLE SOLLEVAMENTO SQUEEGEE	1,00	02/2004		--
0014		LAFN05866		LEVER SGANCIO SERBATOI	1,00	02/2004		--
0015		MLML34726		SPRING TR E350 N	1,00			--
0016		VTRS00251		WASHER 4-16 INOX A2	1,00			--
0017		VTVT00800		SCREW TC 4X12 ZN	1,00	02/2004		--
0018		VTVT21096		SCREW TE M 4X 10 INX	2,00			--
0019		LAFN05870		BRACKET LEVA SOLLEVAM. SQUEEGEE	1,00	02/2004		--
0020		PMVR02012		GROUP TUBO TUBO INT. P197	1,00			--
0021		VTRS13947		WASHER D. 8 INX UNI 6592	2,00			--
0022		LAFN05861		LEVER CONSENSO SPAZZOLE	1,00	02/2004		--
0023		VTDD01694		NUT M6 INOX	2,00	02/2004		--
0024		LAFN05908		ROD COMANDO RUBINETTO	1,00	02/2004		--
0026		GUGO00263		GASKET CIRCOLARE TAPPO	1,00	02/2004		--
0027		FTDP00133		FILTER	1,00	03/2004		--
0028		MPVR04146		KNOB IN PVC MOD. 1001 FORO D.6	1,00	03/2004		--
0029		MPVR04716		RING NUT 1"1/2	1,00			--
0030		MPVR05064		CAP COMPLETO	1,00			--
0031		MPVR51086		TUBE INT.SERB.RECUP.	1,00			--
0032		VTVT00814		SCREW TE M.4-25	2,00			--
0033		VTRS00515		WASHER D. 4 INX	2,00	02/2004		--
0034		VTRS13750		WASHER D. 5X14 INX	7,00			--
0035		GUGO00417		GASKET SCATOLA ASPIRAZIONE	1,00			--
0036		FTDP00185		BOX ASPIRAZIONE	1,00		01/2009	--
0036		MPVR05482		BOX -	1,00	01/2009		--
0037		VTDD15925		NUT M 4 INX	2,00			--
0038		GUGO00418		GASKET CONDOTTO ASPIRAZIONE	1,00			--
0041		RCVR00504		CONNECTOR DRITTO FEMM.	1,00	04/2004		--



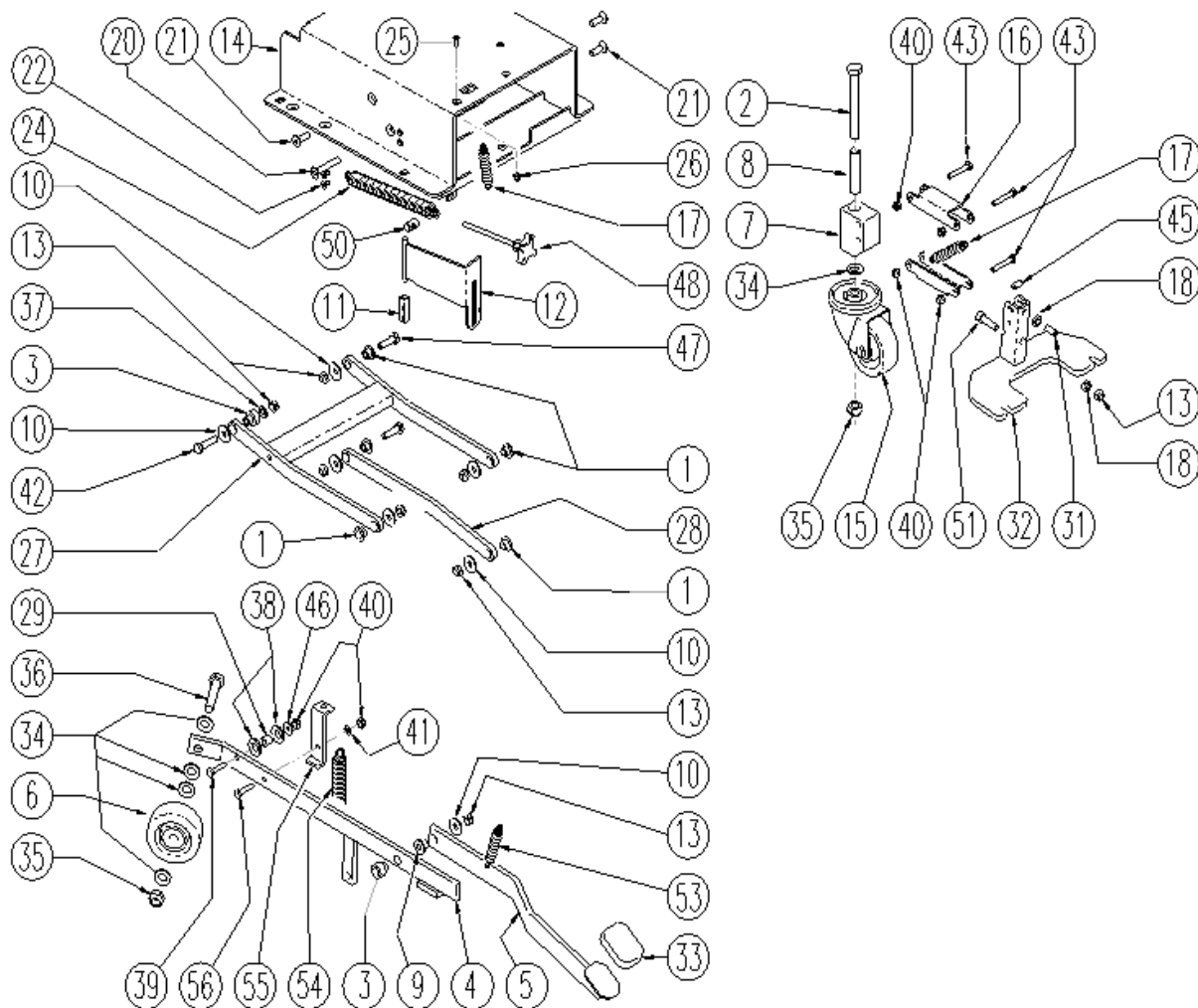
Ref.	K	Part N.	Customer Part N.	Description	Qty	Validity:		Price
						From	To	
0042		FSVR43136		CLAMP D. 35-40 DF.	1,00	06/2004		--
0043		MPVR02765		PROTECTION INSERT	1,00	06/2004		--
0045		MPVR02730		PLATE SIFONE	1,00	06/2004		--



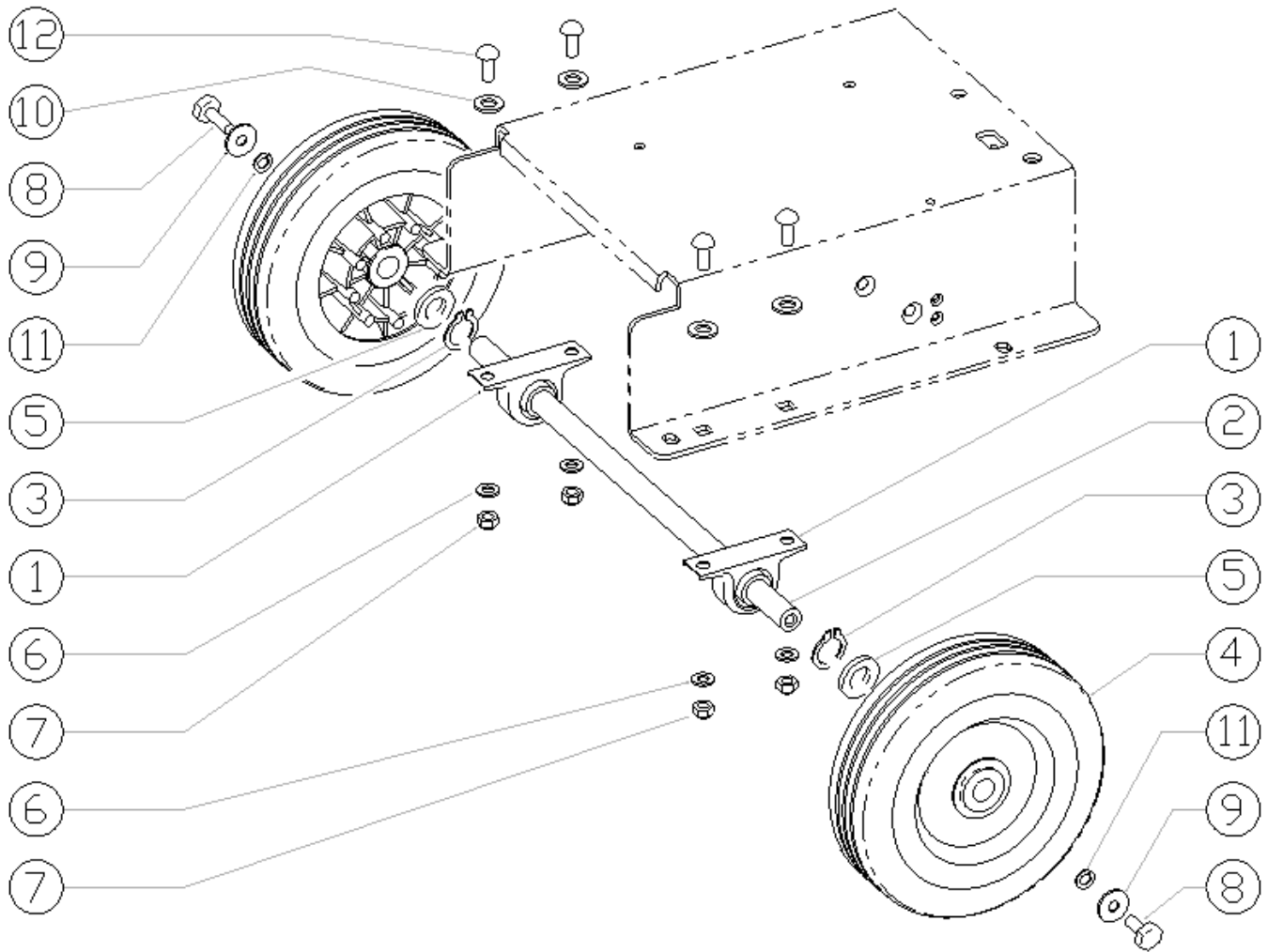
Ref.	K	Part N.	Customer Part N.	Description	Qty	Validity:		Price
						From	To	
0001		FTAC48857		FILTER ASP. ACQUA SERB. LAVAP.	1,00	02/2004		--
0003		STVV00562		TANK ALLUMINIO	1,00			--
0004		MPVR48695		PIN SHK.BK	2,00	02/2004		--
0006		MPVR04931		CAP SCARICO	1,00			--
0007		LAFN05867		PLATE REGOLAZIONE SBLOCCO	1,00	02/2004		--
0010		LAFN05862		ROD RUBINETTO	1,00	02/2004		--
0011		VTVT00651		SCREW TBEI M. 5x16 INOX	2,00			--
0015		FSVR00099		CLAMP FERMATUBO	2,00			--
0016		VTRS00515		WASHER D. 4 INX	2,00			--
0017		VTVT00754		SCREW TC+ M. 4-10	4,00			--
0018		VTVT37012		SCREW M 4X 10 TCB-TC INX	2,00			--
0019		VTVT15961		SCREW M 5X 16 TCB TC UNI 7687	1,00			--
0020		PMVR02028		RUBBER GRUPPO MONTAGGIO	2,00			--
0021		VTVR48693		INSERT M6 D.9	1,00	02/2004		--
0022		MPVR49471		LEVER SHK	1,00	02/2004		--
0024		VTVT15143		SCREW TE 6X16 UNI5739	1,00	02/2004		--
0025		VTRS13945		WASHER D. 6X18 INX UNI 6593	1,00	02/2004		--
0027		GUGO00416		GASKET TAPPO SCARICO SERB.	1,00			--
0028		MPVR51085		FLAP POSTER.TERGI 950 MAGG.	1,00			--
0029		VTVT15916		SCREW TE M 8X 16 UNI 5739 A2	4,00	03/2004		--
0030		VTRS13947		WASHER D. 8 INX UNI 6592	4,00	03/2004		--
0031		VTRS00269		WASHER D. 8 DIN 6798-A INX A2	4,00	03/2004		--
0032		GUGO00267		GASKET FILTRO	1,00	03/2004		--



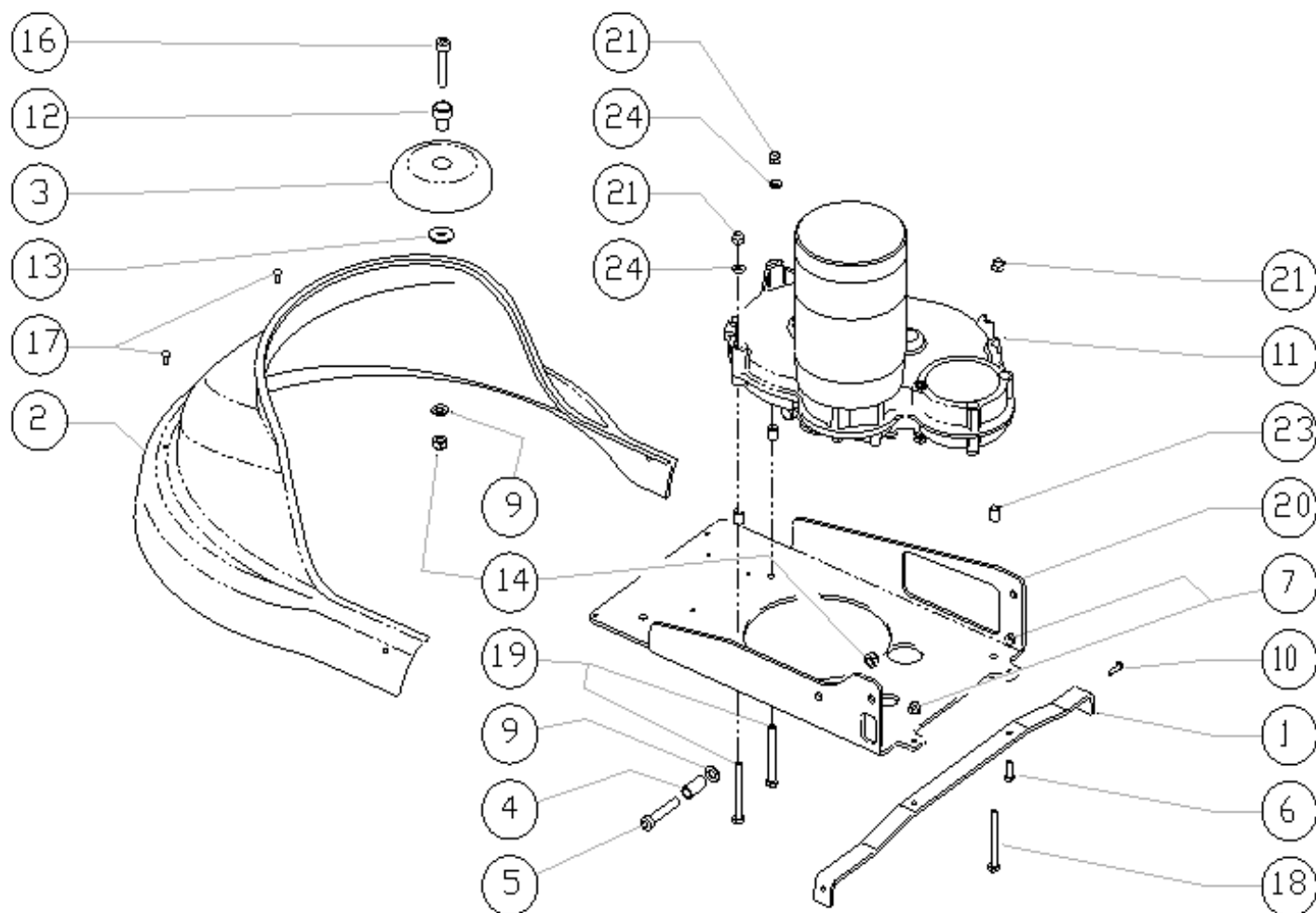
Ref.	K	Part N.	Customer Part N.	Description	Qty	Validity:		Price
						From	To	
0001		LAFN04170		BUSHING PARALLELOGR. TESTATA	5,00	01/2004	--	--
0002		VTVT24212		SCREW TE M 12X100 UNI 5737 INOX	1,00	02/2004	--	--
0003		LAFN04190		BUSHING PARALLELOGR.TEST.GR.	2,00	02/2004	--	--
0004		LAFN05864		LEVER SOLLEVAM.TESTATA ANTER.	1,00	02/2004	--	--
0005		LAFN05857		LEVER SOLLEVAMENTO TESTATA	1,00	02/2004	--	--
0006		RTRT49171		CASTER D. 80-12	1,00	02/2004	--	--
0007		LAFN51036		SUPPORT TERGI	1,00	02/2004	--	--
0008		LAFN04188		PIN ROTAZIONE SQUEEGEE	1,00	02/2004	--	--
0009		LAFN51068		BUSHING LEVA POSTER.	1,00	02/2004	--	--
0010		VTRS13946		WASHER D. 8 X24 INX UNI 6593	7,00	02/2004	--	--
0011		LAFN05939		BRACKET SUPPORTO SELETTORE P197	1,00	02/2004	--	--
0012		LAFN05928		SELECTOR	1,00	02/2004	--	--
0013		VTDD01695		NUT M 8 INX	8,00	02/2004	--	--
0014		LAFN06351		BASE SERBATOIO	1,00	02/2004	--	--
0015		RTRT00276		SMALL WHEEL GIREVOLE PER SPAZZANTE	1,00	02/2004	--	--
0016		LAFN05853		LEVER ARM SOLLEVAMENTO TERGI	2,00	02/2004	--	--
0017		MLML00209		SPRING RITORNO SQUEEGEE	1,00	02/2004	--	--
0018		VTDD15521		NUT M 8 INX A2 UNI 5588	2,00	02/2004	--	--
0020		VTVT24413		SCREW VITE TSPEI M.8-50 UNI5933	1,00	02/2004	--	--
0021		VTVT00781		SCREW TSPEI M.8-25	3,00	02/2004	--	--
0022		VTVT17721		SCREW M 5X10 TSPEI	2,00	02/2004	--	--
0024		MLML31130		SPRING D. 17.5 X110 N38	1,00	02/2004	--	--
0025		VTVT00817		SCREW TE M4x12 UNI 5739 INOX	1,00	05/2004	--	--
0026		VTDD15925		NUT M 4 INX	1,00	02/2004	--	--
0027		LAFN05858		ARM TESTATA SUPERIORE	1,00	02/2004	--	--
0028		LAFN05855		ARM PARALLELOGRAMMA SINGOLO	1,00	02/2004	--	--
0029		LAFN35621		SPACER LAV.	1,00	02/2004	--	--
0031		VTVT00908		GRUB SCREW M.8-25 PIANO	1,00	02/2004	--	--
0032		LAFN05859		PLATE SQUEEGEE	1,00	02/2004	--	--
0033		MPVR04139		RUBBER PEDALINO	1,00	02/2004	--	--
0034		VTRS00312		WASHER D.13 x24 INOX	5,00	02/2004	--	--
0035		VTDD00176		NUT M.12 INOX A2 BASSO AUTOB.	2,00	02/2004	--	--
0036		VTVT00836		SCREW TE M12-60 INOX	1,00	02/2004	--	--
0037		VTRS13947		WASHER D. 8 INX UNI 6592	1,00	02/2004	--	--
0038		VTRS43258		WASHER D.13X24 X2.5 NYL UNI6592	2,00	02/2004	--	--
0039		VTVT00701		SCREW TE M.6-30	1,00	02/2004	--	--
0040		VTDD01694		NUT M6 INOX	6,00	05/2004	--	--
0041		VTRS00245		WASHER D.6 UNI 6592 INOX	1,00	05/2004	--	--
0042		VTVT00410		SCREW TE M8x35 UNI5739 INOX	1,00	02/2004	--	--



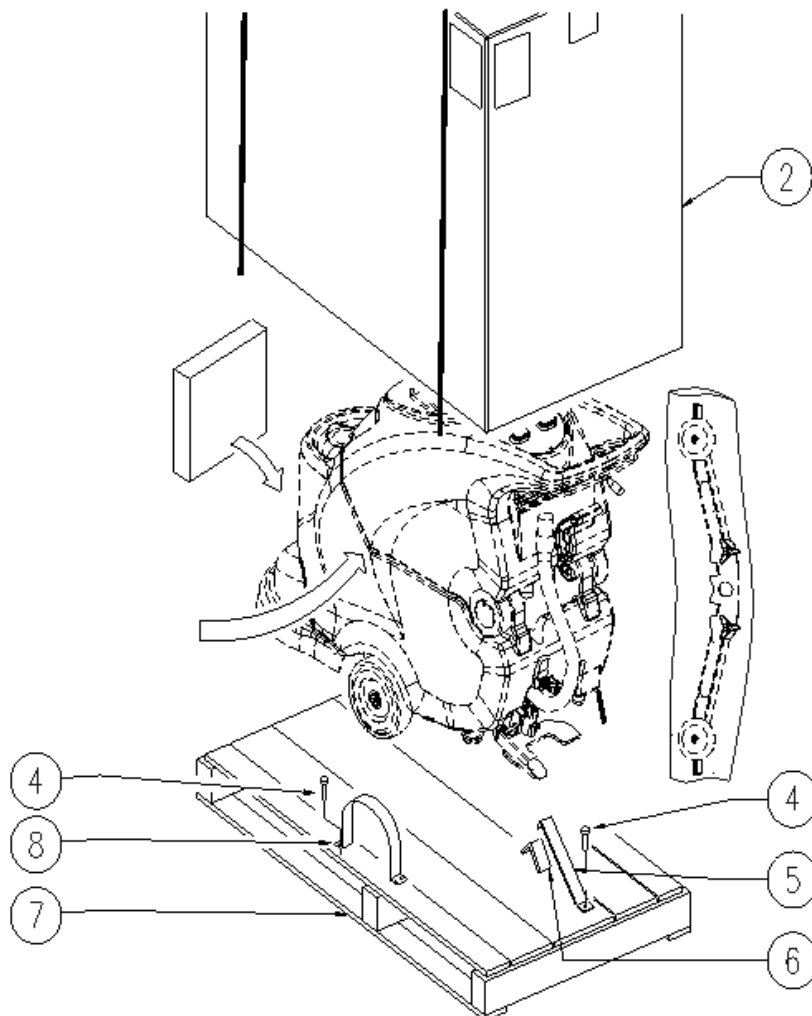
Ref.	K	Part N.	Customer Part N.	Description	Qty	Validity:		Price
						From	To	
0043		VTVT15145		SCREW TE 6X40 UNI5739 INX	4,00	02/2004		--
0045		LAFN03742		SPACER SILENZIATORE	1,00	05/2004	06/2008	--
0045		LAFN06898		SPACER 6-8 h15	1,00	06/2008		--
0046		VTRS13945		WASHER D. 6X18 INX UNI 6593	1,00	02/2004		--
0047		VTVT13937		SCREW TE M 8X 30 INX UNI 5739	2,00			--
0050		LAFN35747		SPRING SUPPORT LAV. E/B 450	1,00	02/2004		--
0051		VTVT00822		SCREW TCEI M 8-30	1,00	02/2004		--
0052		MLML34726		SPRING TR E350 N	1,00			--
0053		MLML00209		SPRING RITORNO SQUEEGEE	1,00	02/2004		--
0055		LAFN51075		BRACKET MOLLA	1,00	04/2004		--
0056		VTVT13939		SCREW TE 6X20 UNI5739 INX	1,00	04/2004		--



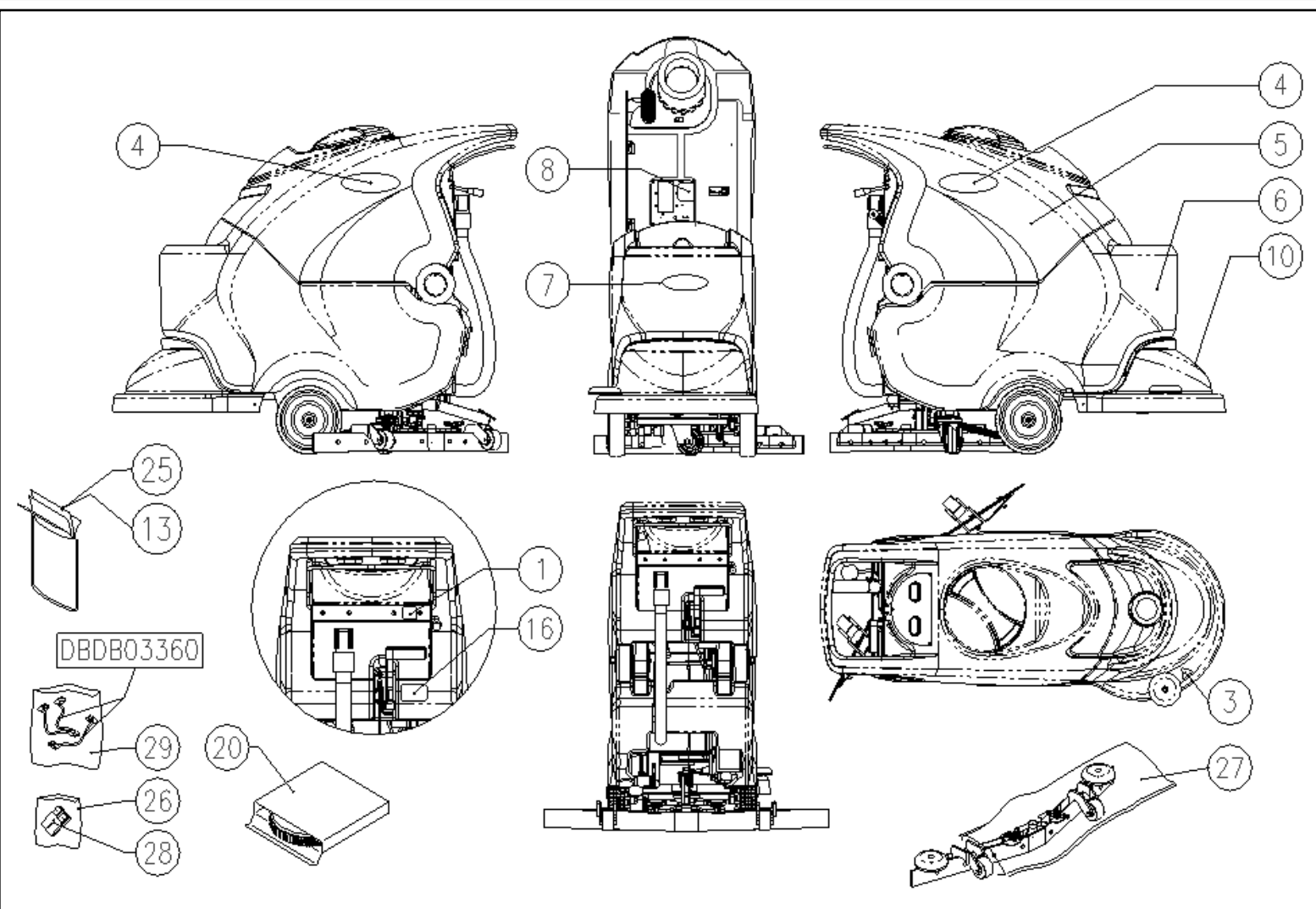
Ref.	K	Part N.	Customer Part N.	Description	Qty	Validity:		Price
						From	To	
0001		CUVR49833		BALL BEARING SBPP 203	2,00			--
0002		ALTR00088		AXLE -	1,00	05/2009		--
0002		LAFN35746		WHEELS AXLE LAV. E/B 450	1,00		05/2009	--
0003		VTAE00065		RING D17 UNI7435 INOX	2,00			--
0004		RTRT00366		WHEEL D200 X CLT 40	2,00			--
0005		VTRS00378		WASHER 17,5X32X1,5	4,00	09/2012		--
0005		VTRS21763		WASHER D.17	2,00		09/2012	--
0006		VTRS13947		WASHER D. 8 INX UNI 6592	4,00			--
0007		VTDD01695		NUT M 8 INX	4,00			--
0008		VTVT15916		SCREW TE M 8X 16 UNI 5739 A2	2,00			--
0009		VTRS13946		WASHER D. 8 X24 INX UNI 6593	2,00			--
0010		VTRS15978		WASHER D.12X24 UNI 6592 INX	4,00			--
0011		VTRS15146		WASHER D. 8 INX GRW UNI 1751	2,00			--
0012		VTVT00842		SCREW	4,00			--



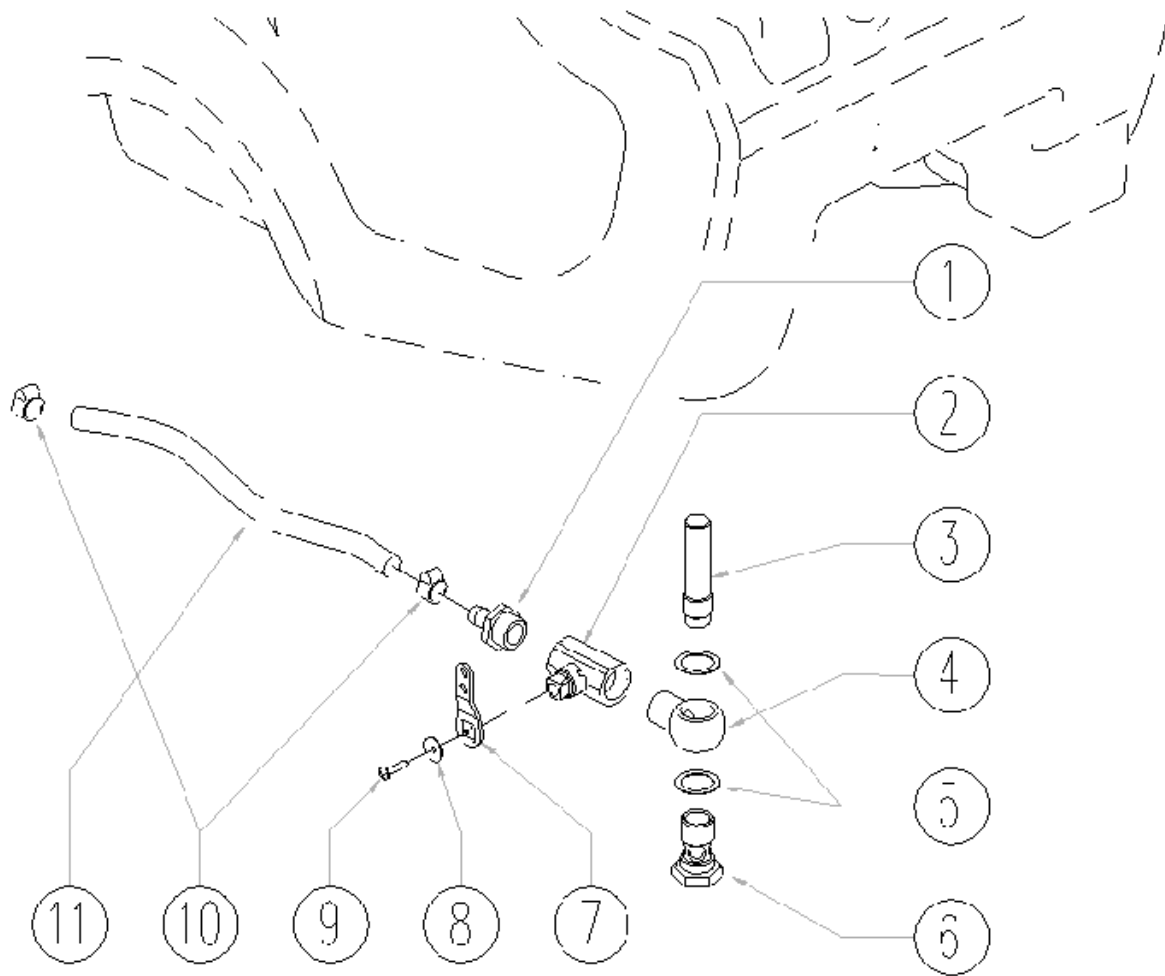
Ref.	K	Part N.	Customer Part N.	Description	Qty	Validity:		Price
						From	To	
0001		LAFN05899		SUPPORT BRACKET CARTER 1 EXTREME	1,00	02/2004		--
0002		MPVR04120		BRUSH PROTECT.	1,00	02/2004		--
0003		RTRT43370		CASTER D.100 2V.	1,00	02/2004		--
0004		LAFN35753		SPACER D. 9.6-12 L=24	1,00	02/2004		--
0005		VTVT00889		SCREW TCEI M. 8-45	1,00	02/2004		--
0006		VTVT07725		SCREW TE 5X16 UNI5739 INX	2,00	02/2004		--
0007		VTDD15517		NUT M 5 INX	2,00	02/2004		--
0008		VTRS00516		WASHER D. 5 INX	2,00	02/2004		--
0009		VTRS13947		WASHER D. 8 INX UNI 6592	2,00	02/2004		--
0010		VTVT00659		SCREW TC+ M. 4-15	2,00			--
0011		PMVR00648		MOTOR.GEARBOX	1,00			--
0012		LAFN03915		BUSHING NUOVO RUOTINO STRONG	1,00	02/2004		--
0013		VTRS13946		WASHER D. 8 X24 INX UNI 6593	1,00	02/2004		--
0014		VTDD01695		NUT M 8 INX	1,00	02/2004		--
0015		VTVT00775		SCREW TCEI M 8X40 ZC.BK UNI5931	1,00			--
0016		VTVT17349		SCREW TCEI M 8X30	1,00	04/2004		--
0017		VTVT21887		SCREW TCB-TC 4X10 8112	2,00	05/2004		--
0018		VTVT00859		SCREW TCEI M. 6-55 INOX	1,00			--
0019		VTVT00841		SCREW TE M 6X65 UNI 5739 INX	2,00	02/2004		--
0020		LAFN05854		PLATE SOSTEGNO RIDUTTORE	1,00	02/2004		--
0021		VTDD15518		NUT M 6 INX	3,00	06/2004		--
0023		LAFN04187		SPACER PER RIDUTTORE	3,00	02/2004		--
0024		VTRS00245		WASHER D.6 UNI 6592 INOX	2,00	02/2004		--



Ref.	K	Part N.	Customer Part N.	Description	Qty	Validity:		Price
						From	To	
0002		MICT00147		CARTON	1,00			--
0004		VTVT00043		SCREW	9,00			--
0005		MIVR00137		CLAMP	1,00			--
0006		GUGO00009		MOUSSE	0,05			--
0007		MIBA00077		PALLET	1,00			--
0008		MIVR00135		CLAMP	2,00			--



Ref.	K	Part N.	Customer Part N.	Description	Qty	Validity:		Price
						From	To	
0001		ETET01447		LABEL	1,00			--
0003		ETET01014		ADHESIVE ATTENZ.ABRAS.ARTI	1,00	03/2004		--
0004		ETET01364		LABEL LATERALE	2,00	03/2004		--
0005		MPVR04111		TANK RECUP.	1,00	02/2004		--
0006		MPVR04108		TANK SOLUZ.	1,00	02/2004		--
0007		ETET02000		LABEL LOGO IPC	1,00	03/2004		--
0008		ETET00763		LABEL SIMBOLO FUSIBILI	1,00	03/2004		--
0010		MPVR04120		BRUSH PROTECT.	1,00			--
0013		PLDC01423		MANUAL	1,00	03/2004		--
0016		ETET01407		PLATE APERTURA SERBATOIO	1,00			--
0020		SPPV43963		BRUSH NYL 0.8 500	1,00	03/2004		--
0025		PLDC01450		MANUAL RIC. CLT40	1,00	03/2004		--
0026		MIVR00072		ENVELOPE PLASTICA TRASP.	1,00	03/2004		--
0027		MIVR00048		TUBE UNIBOL	1,00	03/2004		--
0028		MEVR01079		PLUG M CB50 A 600V RD.	1,00	03/2004		--
0029		MIVR00064		ENVELOPE PORTA CABLAGGI	1,00			--



Ref.	K	Part N.	Customer Part N.	Description	Qty	Validity:		Price
						From	To	
0001		RCVR00536		CONNECTOR PORTAG.	1,00			--
0002		RCGR00065		TAP F/F 1/2"	1,00			--
0003		FTAC00036		FILTER IN RETE	1,00			--
0004		RCDS49622		CONNECTOR OCC 1/2 - 1/2M	1,00			--
0005		GUVR00213		WASHER GOMMA	2,00			--
0006		RCDS49623		SCREW G 1/2 L=41.5	1,00			--
0007		LAFN05902		LEVER RUBINETTO	1,00			--
0008		VTRS00251		WASHER 4-16 INOX A2	1,00			--
0009		VTVT00633		SCREW M 3X 20 TCB-TC BK.U.7687	1,00			--
0010		FSVR00096		CLAMP 10-16 INOX	2,00			--
0011		TBFX00282		TUBE SOLUZIONE P197	1,00			--